

6

5

4

3

2

1

**MATERIAL AND FINISH:**

Insulator: Polycarbonate, UL-94V-0 rated  
Contacts: Brass, Nickel plated

**ELECTRICAL SPECIFICATIONS:**

Current rating: 10 A  
Voltage rating: 250 VAC  
Current rating: 15 A  
Voltage rating: 250 VAC



**ORDERING CODE:**

42R01-8   2    
          1   3

1 = COLOR

1 = BLACK  
2 = GRAY

2 = M3x6.0mm  
SCREW TERMINALS

3 = ELECTRICAL CIRCUIT  
CONFIGURATION

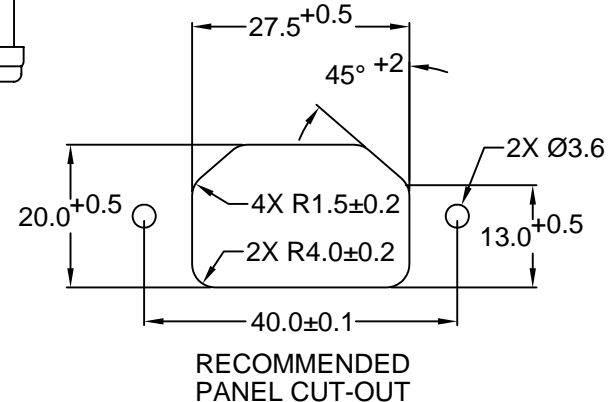
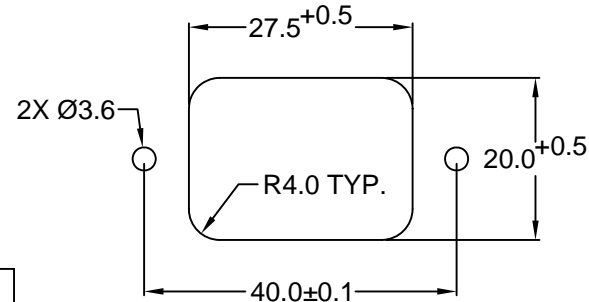
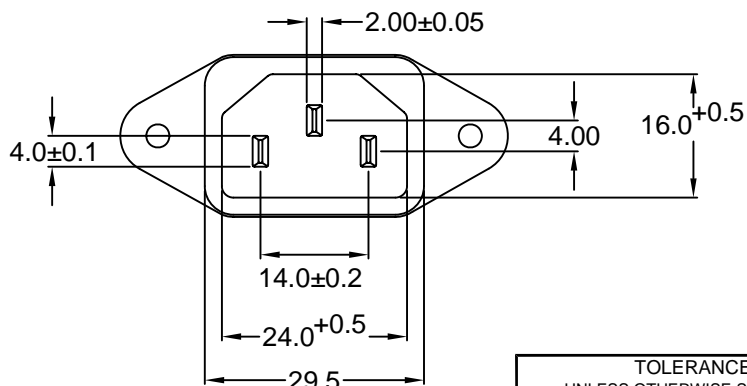
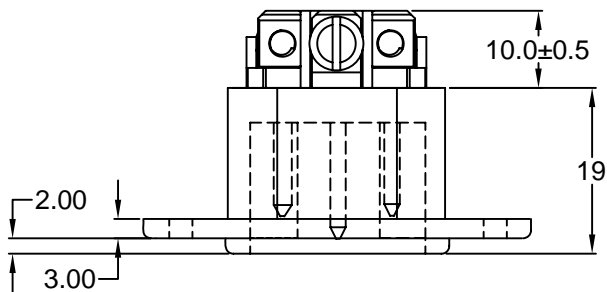
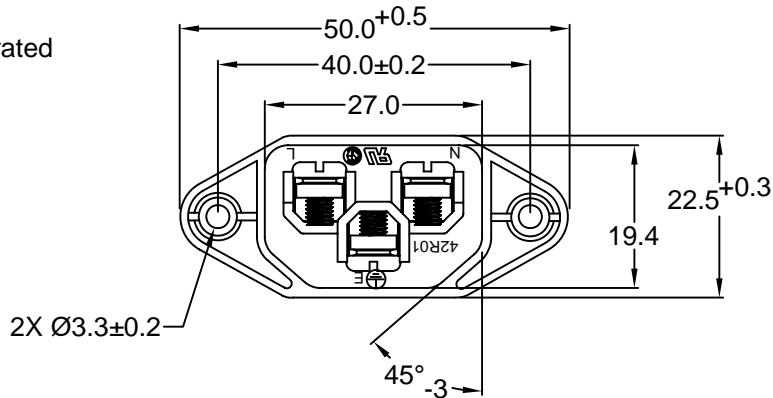
1 = 15A 250V 120°C  
2+GROUND



2 = 15A 250V 70°C  
2+GROUND



4 = 15A 250V 70°C  
2 POLE



RoHS  
COMPLIANT

TOLERANCE UNLESS OTHERWISE SPECIFIED		
X	±	1
X.X	±	0.4
X.XX	±	0.20
DRAWN BY	GQ	DATE: 08/13/01
CHECK BY	TD	DATE: 08/14/01
APPR BY	PB	DATE: 08/14/01

**Power Dynamics, Inc.**

Phone: 973 560-0019 Whippany, New Jersey Fax: 973 560-0076

PART: IEC 60320 C14 APPL. INLET; SCREW  
TERMINALS; SIDE FLANGE

PART #: 42R01-8X2X		SHEET 1 of 1
SIZE: A	ALL DIMENSIONS FOR REFERENCE ONLY DIMENSIONS ARE IN MILLIMETERS	
SCALE: NTS	REV:	

REVISIONS	CHNG	CHECK	APPR
	CHANGE		
REV	DATE		

6

5

4

3

2

1